



## **LAWN BOWLS PUSHERS**

**Model: BP-1**

Operation & Parts Manual

## Table of Contents

Cover Page	1
Table of Contents	2
Welcome to Bannerman	3
Warranty Statement	4
Description and Specifications	5
Assembly Instructions	6
Parts Illustration	9
Parts List	10
Contact Information	11

**GORDON BANNERMAN LIMITED**

41 Kelfield Street, Rexdale, ON M9W 5A3 Canada

T: (416) 247-7875 F: (416) 247-6540

[www.sportsturfmagic.com](http://www.sportsturfmagic.com)

## Lawn Bowls Pushers Model: BP-1

Dear Owner,

Welcome to Bannerman, the Home of Sports Turf Magic.

Your new **BP-1 Lawn Bowls Pusher** is a tool designed to aid you in gathering bowls efficiently and with effortless maneuverability. The ease of operation and low maintenance will give you many trouble free years of use. Please make sure that you read and understand the important instructions for the assembly, adjustment, operations, and maintenance contained in this manual. If there are any instructions which you do not fully understand, contact your dealer or Bannerman Ltd. for clarification before using the unit.

To give you many years of service, regular preventative maintenance is recommended. Should you require further assistance, or replacement parts for your **BP-1 Lawn Bowls Pusher**, please feel free to contact your local Bannerman dealer or Bannerman directly.

Regards,



George Bannerman  
Corporate Secretary

**GORDON BANNERMAN LIMITED**

41 Kelfield Street, Rexdale, ON M9W 5A3 Canada

T: (416) 247-7875 F: (416) 247-6540

[www.sportsturfmagic.com](http://www.sportsturfmagic.com)

## Warranty Statement

**Bannerman Ltd** warrants all **BP-1 Lawn Bowls Pushers**, when appropriately applied and installed, to be free from defects in material and workmanship under normal use and service, for 1 year from the date of use. We must receive the Warranty Card, and Declaration or Delivery Card filled out in its entirety, via mail, fax, or email within 15 days of the date of sale. It is the responsibility of the end user to make sure that the Warranty is filled out and submitted to **Bannerman Ltd**. This warranty does not guarantee a particular service life of the products. Service life will vary with application, operating environment, level of maintenance and other factors beyond our control.

**Bannerman Ltd's** sole responsibility for the **Bannerman BP-1 Lawn Bowls Pusher**, or parts determined to be defective and covered by this warranty, is limited to repairing the product or part. \*An allowance is to be applied to the labour cost for the removal and replacement.\*

Prior authorization from **Bannerman Ltd** must be obtained before replacing or returning any part(s) or incurring any cost of labour. No charges for expenses incurred for parts, labour or transportation, by unauthorized persons, will be allowed under this warranty. **Bannerman Ltd** reserves the right to any part or Bannerman assembly (with transportation prepaid) claimed to be covered under this warranty.

**Bannerman Ltd** shall not be liable, in the event of proximate, incidental, consequential, special or other damages. This includes, but is not limited to, damages for loss of production, loss of profit, loss of opportunity, or injury to persons arising out of any breach of this warranty.

**THERE ARE NO WARRANTIES, EXPRESSED OR IMPLIED, INCLUDING THE WARRANTY OF MERCHANTABILITY, WARRANTY OF FITNESS FOR PARTICULAR PURPOSE, OR ANY OTHER WARRANTY EXTENDING BEYOND THAT SET FORTH ABOVE.**

### **GORDON BANNERMAN LIMITED**

41 Kelfield Street, Rexdale,  
Ontario, Canada, M9W 5A3

#### **CONTACT US:**

**CAN 1-800-325-4871**

**USA 1-800-665-2696**

[info@sportsturfmagic.com](mailto:info@sportsturfmagic.com)

### **GORDON BANNERMAN LIMITED**

41 Kelfield Street, Rexdale, ON M9W 5A3 Canada

T: (416) 247-7875 F: (416) 247-6540

[www.sportsturfmagic.com](http://www.sportsturfmagic.com)

# Lawn Bowls Pushers

## Model: BP-1

### Description

Bannerman's lightweight **Lawn Bowls Pushers** are a better way to gather bowls.

Constructed of lightweight 16 gauge aluminum, a Bannerman Bowls Pusher weighs only 8 lbs. (3.6 Kg). With its 360° ball based casters at the front, maneuverability is both smooth and effortless. Broad and thick tubular handles aid steering and control with no strain on the arms or hands. Hardwood mounted bumpers reduced scratching or damaging the bowls. Additionally, smooth pattern-less rollers leave no marking on the green.

### Specifications

<b>Weight:</b>	8 lbs. (3.6 Kg)
<b>Working Width:</b>	36 Inches at the front
<b>Special Features:</b>	<ul style="list-style-type: none"> <li>• 360° multi-directional ball casters at the front for easy maneuvering</li> <li>• Hardwood bumpers minimize any scratching of the bowls</li> <li>• Wide, smooth rear rollers prevent marking the green</li> <li>• Wide tubular handle with rubberized grip for smooth steering and control</li> </ul>

#### GORDON BANNERMAN LIMITED

41 Kelfield Street, Rexdale, ON M9W 5A3 Canada

T: (416) 247-7875 F: (416) 247-6540

[www.sportsturfmagic.com](http://www.sportsturfmagic.com)

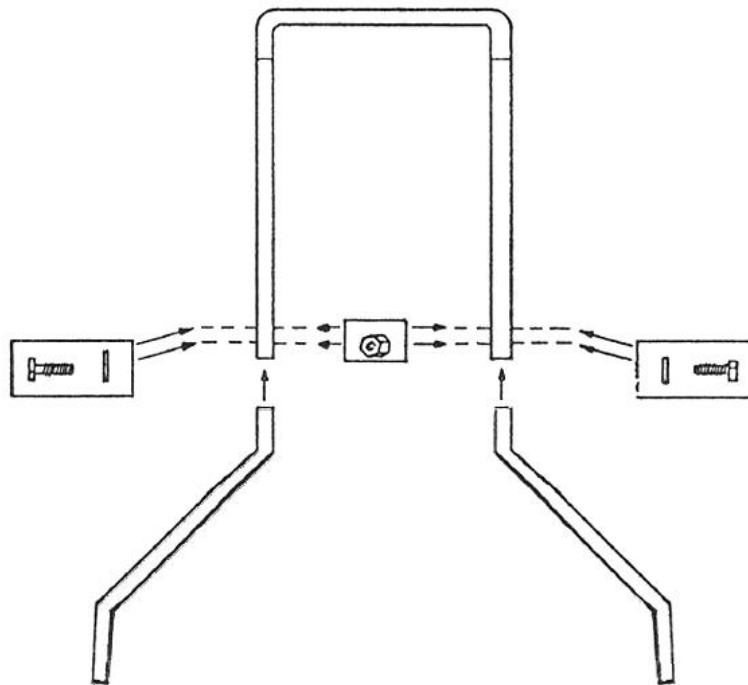
# Assembly Instructions

PLEASE READ ALL INSTRUCTIONS BEFORE ATTEMPTING ASSEMBLY

## Handle Assembly

### Parts Required:

- 2 – Lower Handle
- 1 – Upper Handle
- 4 – ¼" x 1" Bolts
- 8 – ¼" Flat Washers
- 4 – ¼" Nylon Insert Nuts



1. Insert and fasten the longer length of the small angle brackets into the upper handle using ¼" x 1" bolts, washers, and nylon insert nuts.
  - Note that the washers are placed on the bolts first, and the nylon insert nuts are installed on the inside of the handle.
2. Tighten the bolts to collapse the upper handle tube against the small angle brackets.

### GORDON BANNERMAN LIMITED

41 Kelfield Street, Rexdale, ON M9W 5A3 Canada

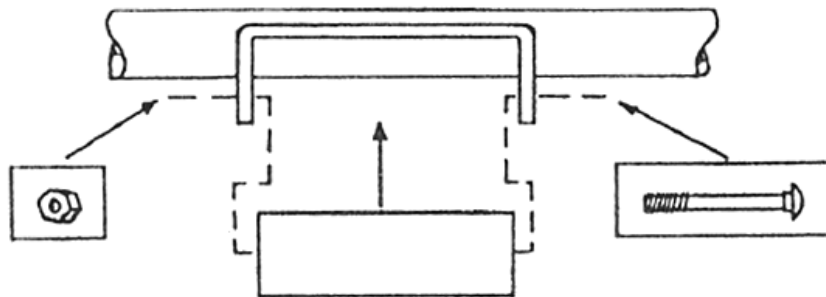
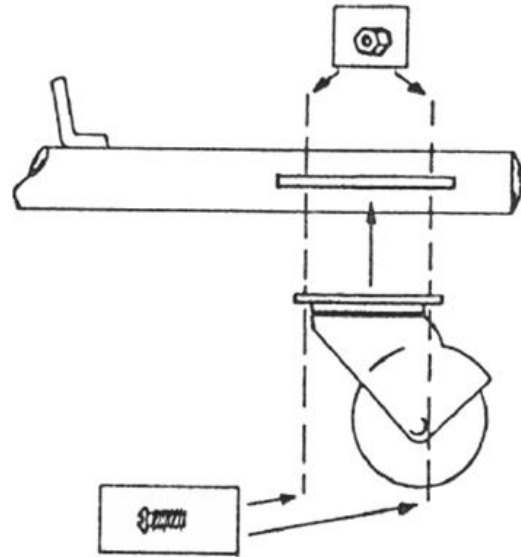
T: (416) 247-7875 F: (416) 247-6540

[www.sportsturfmagic.com](http://www.sportsturfmagic.com)

## Upper Wishbone Assembly

### Parts Required:

- 2 – Nylon Rollers
- 2 – Caster Rollers
- 2 – 3/8" x 5 Carriage Bolts
- 2 – 3/8" Nylon Insert Nuts
- 8 – 10/24 x 1/2" Screws
- 8 – 10/24 Nylon Insert Nuts



1. Install the nylon rollers using the 3/8" x 5" carriage bolts and nylon insert nuts. The bolts are inserted from the side with the square hole.
2. Mount the casters using the #24 x 1/2" screws and nylon insert nuts.
  - Note that the screws are inserted from the bottom of the assembly.

### GORDON BANNERMAN LIMITED

41 Kelfield Street, Rexdale, ON M9W 5A3 Canada

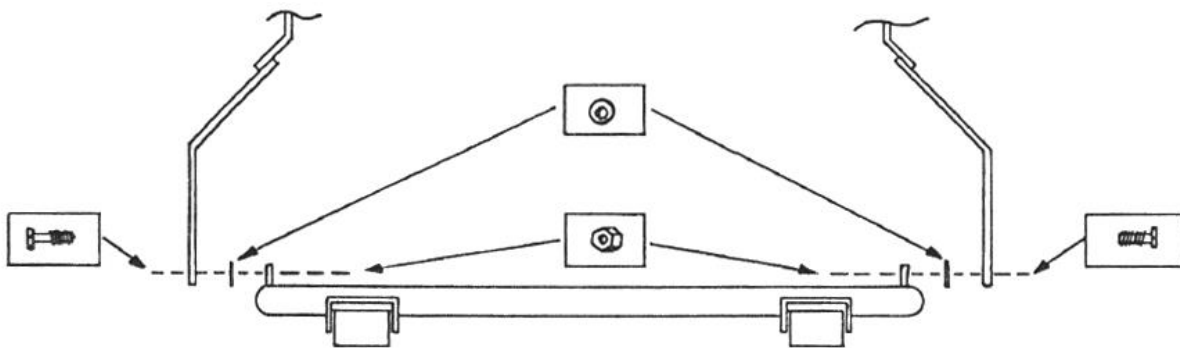
T: (416) 247-7875 F: (416) 247-6540

www.sportsturfmagic.com

## Final Assembly

### Parts Required:

- 2 – 5/16" x 1" Bolts
- 2 – 5/16" Nylon Insert Nuts
- 2 – 5/16" Flat Washers



1. Join the handle to the wishbone using the 5/16" x 1" bolts, flat washers, and nylon insert nuts.
2. Insert the flat washers between the handle and wishbone mounting points. This is important to allow for proper movement of the handle.
3. Tighten the nuts and bolts to the point where some movement is still permitted.

### GORDON BANNERMAN LIMITED

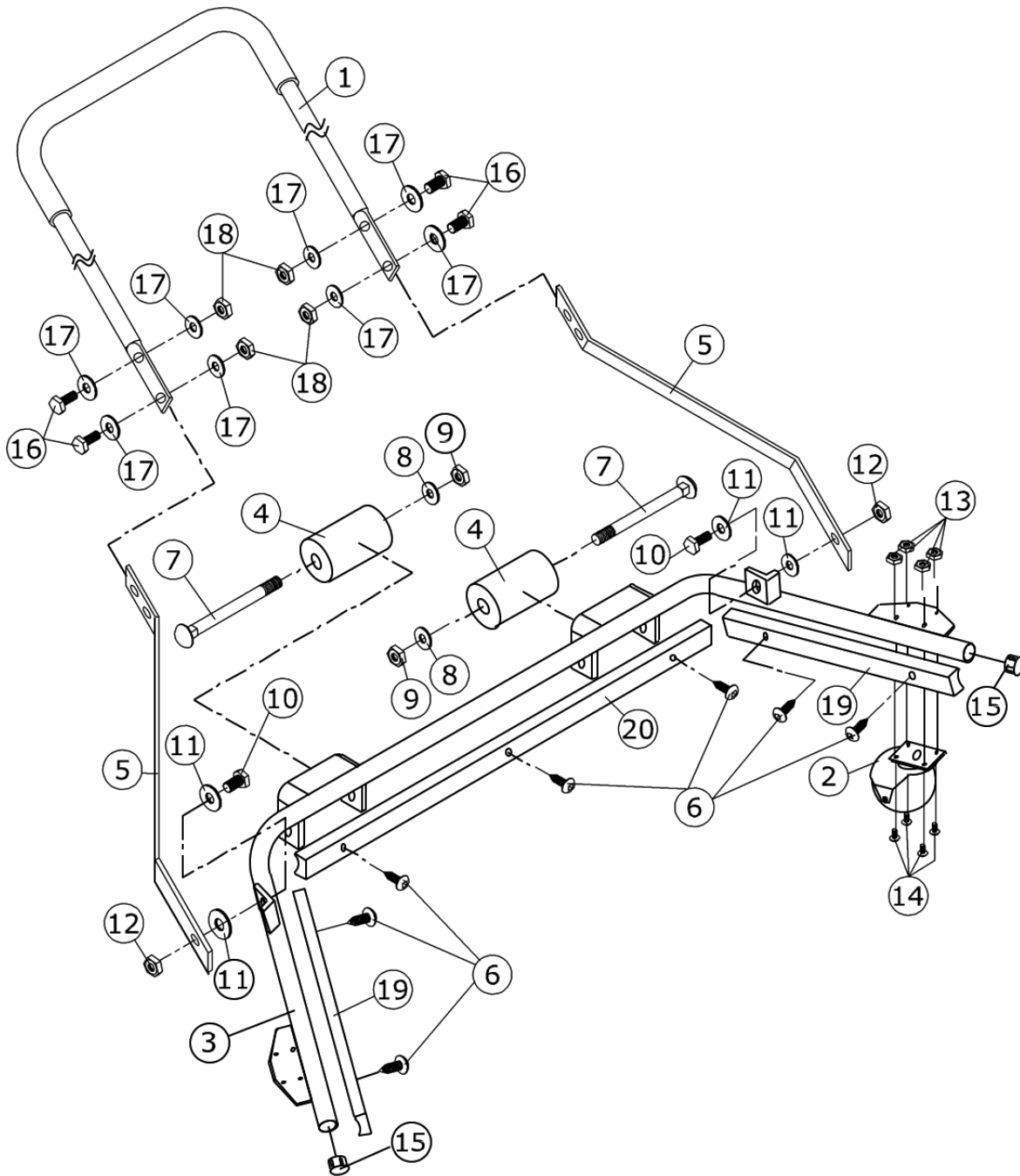
41 Kelfield Street, Rexdale, ON M9W 5A3 Canada

T: (416) 247-7875 F: (416) 247-6540

[www.sportsturfmagic.com](http://www.sportsturfmagic.com)



# BP-1 Lawn Bowls Pusher Parts Illustration



## GORDON BANNERMAN LIMITED

41 Kelfield Street, Rexdale, ON M9W 5A3 Canada

T: (416) 247-7875 F: (416) 247-6540

[www.sportsturfmagic.com](http://www.sportsturfmagic.com)

## BP-1 Lawn Bowls Pusher Parts List

Item No.	Part No.	Part Description	Qty.
1	00901	Handle - Upper	1
2	00902	Casters	2
3	00903	Wishbone	1
4	00904	Rollers	2
5	00909	Handle - Lower	2
6	00907	Screw - 8 x 5/8", Self Tap	7
7	00912	Carriage Bolt - 3/8"-16 x 5" (Roller Axle)	2
8	02024	Washer - 3/8" Flat SAE	2
9	03022	Nut - 3/8"-16 Nylon Insert	2
10	02002	Bolt - 5/16"-18 x 1" HHC	2
11	02005	Washer - Flat 5/16 SAE	4
12	02004	Nut - 5/16"-18 Nylon Insert	2
13	02048	Nut - 10-24 Nylon Insert	8
14	11230	Bolt - 10-24 x 0.5" Round Head	8
15	09047	Plugs - Tubes	2
16	03004	Bolt - 1/4"-20 x 1" HHC	4
17	02066	Washer - Flat 1/4" SAE	8
18	03007	Nut - 1/4"-20 Nylon Insert	4
19	00910	Wood Bumper - 12" Short	2
20	00911	Wood Bumper - 24" Long	1

### GORDON BANNERMAN LIMITED

41 Kelfield Street, Rexdale, ON M9W 5A3 Canada

T: (416) 247-7875 F: (416) 247-6540

[www.sportsturfmagic.com](http://www.sportsturfmagic.com)



A Division of Gordon Bannerman Limited

*“The Home of Sportsturf Magic”*

Scan the QR code below to visit our website



Or visit [www.sportsturfmagic.com](http://www.sportsturfmagic.com)

For any Questions, Customer Support or General Inquiries, please email:  
[info@sportsturfmagic.com](mailto:info@sportsturfmagic.com)

**GORDON BANNERMAN LIMITED**

41 Kelfield Street, Rexdale, ON M9W 5A3 Canada

T: (416) 247-7875 F: (416) 247-6540

[www.sportsturfmagic.com](http://www.sportsturfmagic.com)